

180°C High Temperature RFID tags



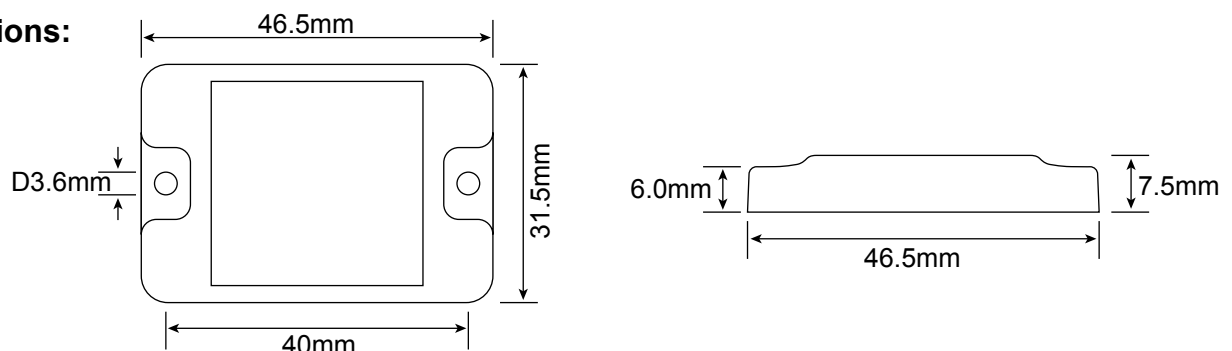
Functional Specifications:

RFID Protocol:	EPC Class1 Gen2, ISO18000-6C
Frequency:	US(902-928MHZ), EU(865-868MHZ)
IC type:	Alien Higgs-3, (Monza M4QT, Monza R6, UCODE 7XM+ or other chips are customizable)
Memory:	EPC 96bits (Up to 480bits) , USER 512bits, TID64bits
Write Cycles:	100,000 times
Functionality:	Read/write
Data Retention:	Up to 50 Years
Applicable Surface:	Metal Surfaces
Read Range : (Fix Reader)	6.5m, US (902-928MHZ) 6.6m, EU (865-868MHZ)
Read Range : (Handheld Reader)	4.4m, US (902-928MHZ) 4.6m, EU (865-868MHZ)
Warranty:	1 Year

Physical Specification:

Size:	46.5x31.5mm, Hole: D3.6mmx2
Thickness:	7.5mm
Material:	Antenna: ceramic. Shell: PEEK(Other materials can be customized).
Colour:	Black
Mounting Methods:	Screw - Socket head cap screw(M2.5), Rivet, Adhesive
Weight:	19.5g

Dimensions:



Environmental Specification:

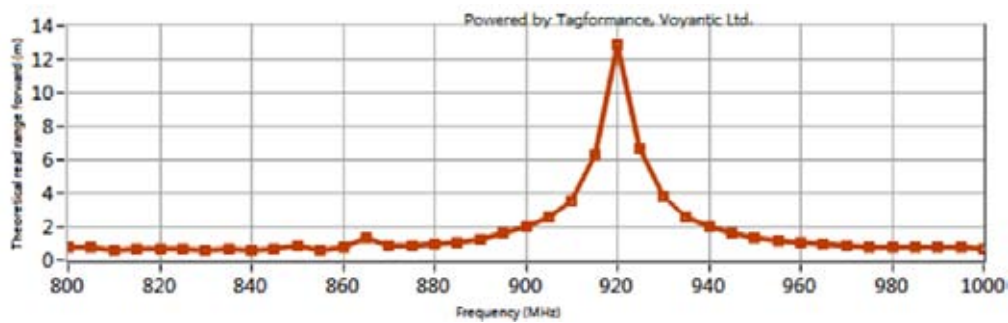
IP Rating: IP68

Storage Temperature: -40°C to +180°C

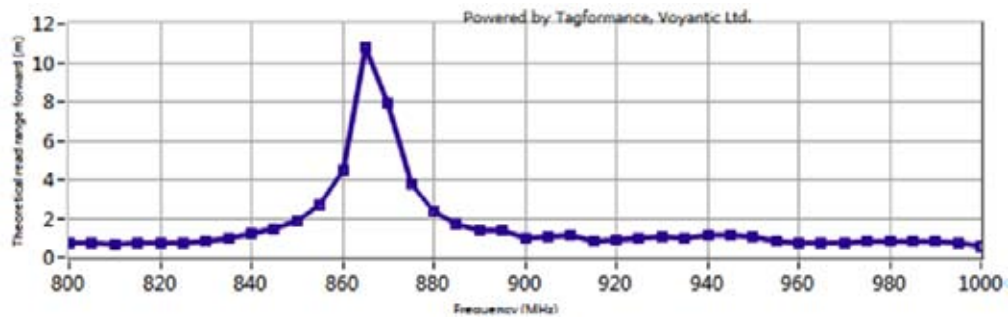
Operation Temperature: -25°C to +150°C

Certifications: Reach Approved, RoHS Approved, CE Approved, ATEX Approved.

OPP4600U1, Metal Surface(902-928MHZ):



OPP4600E1, Metal Surface(865-868MHZ):



Radiation pattern:

