

## 260°C High Temperature RFID Screw tags

Devil-M18



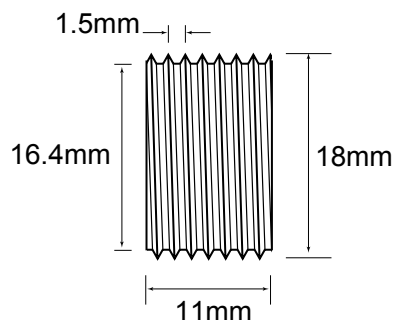
### Functional Specifications:

RFID Protocol:	EPC Class1 Gen2, ISO18000-6C
Frequency:	US(902-928MHZ), EU(865-868MHZ)
IC type:	Alien Higgs-3,NXP UCODE 8
Memory:	EPC 96bits (Up to 480bits) , USER 512bits, TID64bits
Write Cycles:	100,000 times
Functionality:	Read/write
Data Retention:	50 Years
Applicable Surface:	Metal Surfaces
Read Range : (Fix Reader)	0.90m, US(902-928MHZ) 0.80m, EU(865-868MHZ)
Read Range : (Handheld Reader)	0.35m, US(902-928MHZ) 0.35m, EU(865-868MHZ)
Warranty:	1 Year

### Physical Specification:

Size:	D18.0mm
Thickness:	11.0mm
Material:	304 stainless steel
Colour:	Gray
Mounting Methods:	Screw
Weight:	13.5g

### Dimensions:



**Environmental Specification:**

IP Rating: IP68

Storage Temperature: -50°C to +260°C,+300°C100 hours

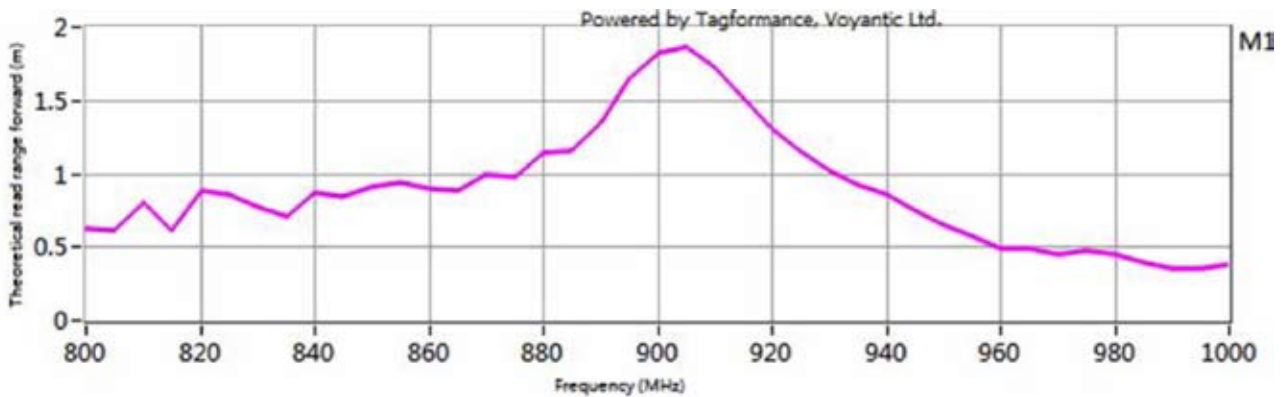
Operation Temperature: -40°C to +150°C

Reliability testing terms and results:

- a. Withstand 300°C for 100 hours continuously without damage.
- b. Withstand 280°C for 1000 hours continuously without damage.
- c. Withstand 260°C for 2000 hours continuously without damage.
- d. Withstand -20°C for 8 hours, then 260°C for 16 hours per day, 80 days continuously without damage.
- e. Withstand from 150°C to -40°C, 7.5 cycles per day, 80 days continuously with total 600 cycles without damage.

Certifications: Reach Approved, RoHS Approved, CE Approved, ATEX Approved.

U1, Metal Surface(902-928MHZ):



E1, Metal Surface(865-868MHZ):

