

OPP6020L/OPP6020LM



OPP6020L
(Off-metal)



OPP6020LM
(On-metal)

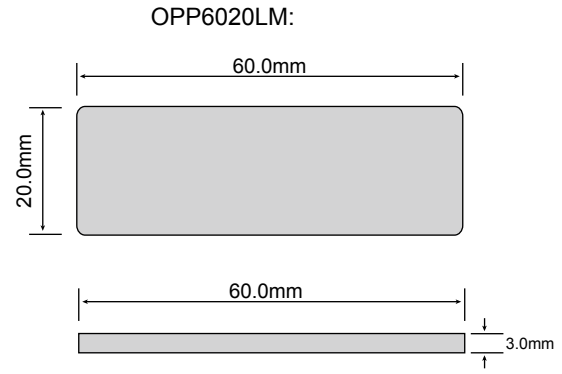
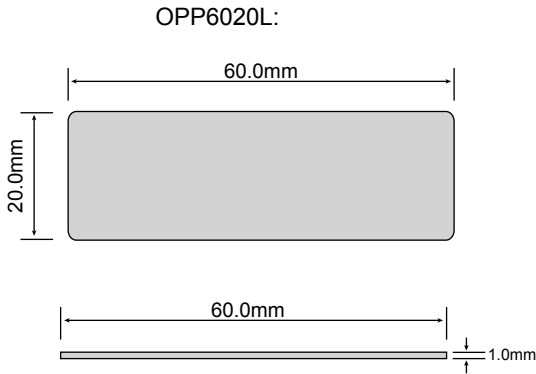
Functional Specifications:

RFID Protocol:	EPC Class1 Gen2, ISO18000-6C	
Frequency:	902Mhz to 928Mhz	
IC type:	XBL2005-KX	
Memory:	EPC 128bits USER 1312 bits, TID 96bits	
Write Cycles:	1 time	
Functionality:	Read/write	
Data Retention:	Up to 50 Years	
Applicable Surface:	Non-metallic surface	Metal Surfaces
Read Range : (Fix Reader)	9.0m, Off Metal	7.5m, On Metal
Read Range : (Handheld Reader)	Up to 6.0m, Handheld reader ; light-on read range up to 3.0m, Non-metallic surface.	Up to 5.0m, Handheld reader ; light-on read range up to 3.0m, Metallic surface .
Warranty:	1 Year	

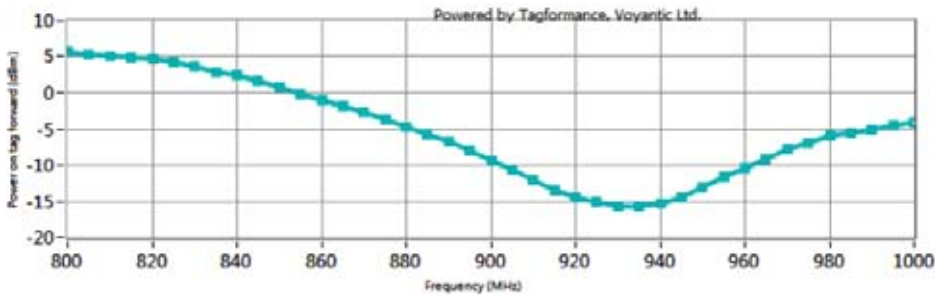
Physical Specification:

Size:	60.0x20.0mm	60.0x20.0mm
Thickness:	1.0mm(Off-metal)	3.0mm(On-metal)
Material:	PCB	PCB
Colour:	Black	Black
Mounting Methods:	Adhesive	Adhesive
Weight:	2.5g	7.5g

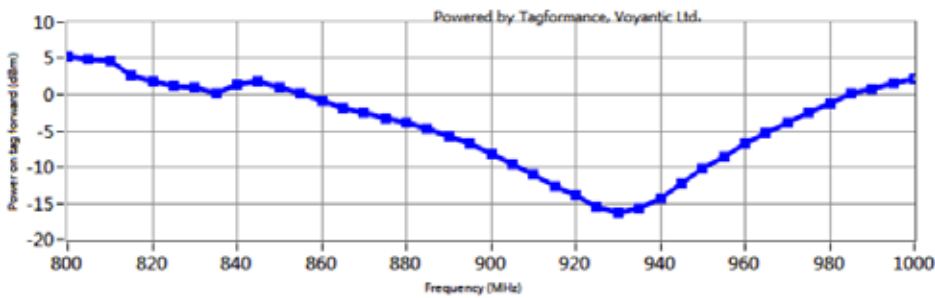
Dimensions:



OPP6020L:



OPP6020LM:



Environmental Specification:

IP Rating:	IP67
Storage Temperature:	-20°C to +80°C
Operation Temperature:	-20°C to +80°C
Certifications:	Reach Approved, RoHS Approved, CE Approved